
 ITI LIMITED (A Government of India Undertaking)		Phone	9415276156	
		Web	www.itiltd.in	
BANGALORE PLANT				
DOORAVANI NAGAR BANGALORE- 560016				
ENQUIRY - OFFLINE QUOTATION				
		Enquiry Ref No.	M4226B001	
		Enquiry Date	08.06.2026	
		Due Date & Time	16.06.2026 5 PM	
Please quote best prices for the item as mentioned below:				
Sl.No	Item Code	Items Description	Make	Qty (Nos)
1	DC9A1110070A2NS	Tin Plated Copper Bus Bar 240mm x 3mm x 25mm with M6 tap holes 10 nos (Refer: Drawing below)	1.DFMHUB 2. Noves Automations 3. P M Industries 4. Satellites Electric Company 5. C.S.Surana 6. Ravi Enterprises 7. Copper Alloys 8. M M Electricals	15
2	DC9C1000002NSNS	Conical Insulator- H-30mm (Refer: Drawing below)	1. Vishal Ceramics 2. Flucon Components Private Limited 3. Innovative Systems 4. Satellites Electric Company 5. C.S.Surana 6. M M Electricals 7. Powercam Electricals Pvt. Ltd.	30
3	DC9C1000003NSNS	Conical Insulator- H-25mm (Refer: Drawing below)	1. Vishal Ceramics 2. Flucon Components Private Limited 3. Innovative Systems 4. Satellites Electric Company 5. C.S.Surana 6. M M Electricals 7. Powercam Electricals Pvt. Ltd.	100
4	DC9A1104071A2NS	Tin Plated Copper Bus Bar 100mm x 3mm x 25mm with M6 tap holes 04 nos (Refer: Drawing below)	1.DFMHUB 2. Noves Automations 3. P M Industries 4. Satellites Electric Company 5. C.S.Surana 6. Ravi Enterprises 7. Copper Alloys 8. M M Electricals	48
If any further details/clarifications required towards submission of offer, please contact Mr. P N Chaudhary, DGM-IMM mail: pnchaudhary_bgp@itiltd.co.in/ anagham_bgp@itiltd.co.in				
NOTE	1	Delivery location: ITI Limited Bangalore		
	2	Payment term: 100% after delivery against the invoice submitted with 60 days credit.		
	3	Specification of this enquiry is attached at Annexure A and Terms & Conditions at Annexure B.		
	4	Your quoted price shall be all inclusive D.A.P, ITI Ltd, Dooravaninagar, Bangalore-560016		
The bids will be opened on 17.06.2026, at 10 AM. Quotations must be submitted in a sealed cover, super scribed with our Enquiry number & due date and should reach us well before due date. Open tender/or late tenders and tenders without tender enquiry number and due date on the cover are liable for rejection without assigning any reason.				
For ITI Limited  Deputy General Manager-IMM Deputy General Manager - MM ITI Limited, Doorvaninagar, Bangalore - 560016				



ANNEXURE A

ITI LIMITED
(A Government of India Undertaking)

PR Ref: M4226B001

Sl.No	Item Code	Items Description	Make	Qty (Nos)
1	DC9A1110070A2NS	Tin Plated Copper Bus Bar 240mm x 3mm x 25mm with M6 tap holes 10 nos	1.DFMHUB 2. Noves Automations 3. P M Industries 4. Satellites Electric Company 5. C.S.Surana 6. Ravi Enterprises 7. Copper Alloys 8. M M Electricals	15
2	DC9C1000002NSNS	Conical Insulator- H-30mm	1. Vishal Ceramics 2. Flucon Components Private Limited 3. Innovative Systems 4. Satellites Electric Company 5. C.S.Surana 6. M M Electricals 7. Powercam Electricals Pvt. Ltd.	30
3	DC9C1000003NSNS	Conical Insulator- H-25mm	1. Vishal Ceramics 2. Flucon Components Private Limited 3. Innovative Systems 4. Satellites Electric Company 5. C.S.Surana 6. M M Electricals 7. Powercam Electricals Pvt. Ltd.	100
4	DC9A1104071A2NS	Tin Plated Copper Bus Bar 100mm x 3mm x 25mm with M6 tap holes 04 nos	1.DFMHUB 2. Noves Automations 3. P M Industries 4. Satellites Electric Company 5. C.S.Surana 6. Ravi Enterprises 7. Copper Alloys 8. M M Electricals	48

Note: Drawings for Item No 1 to 4 are given below.

(P.N.)

Deputy General Manager - MM
ITI Limited, P. N. Nagar,

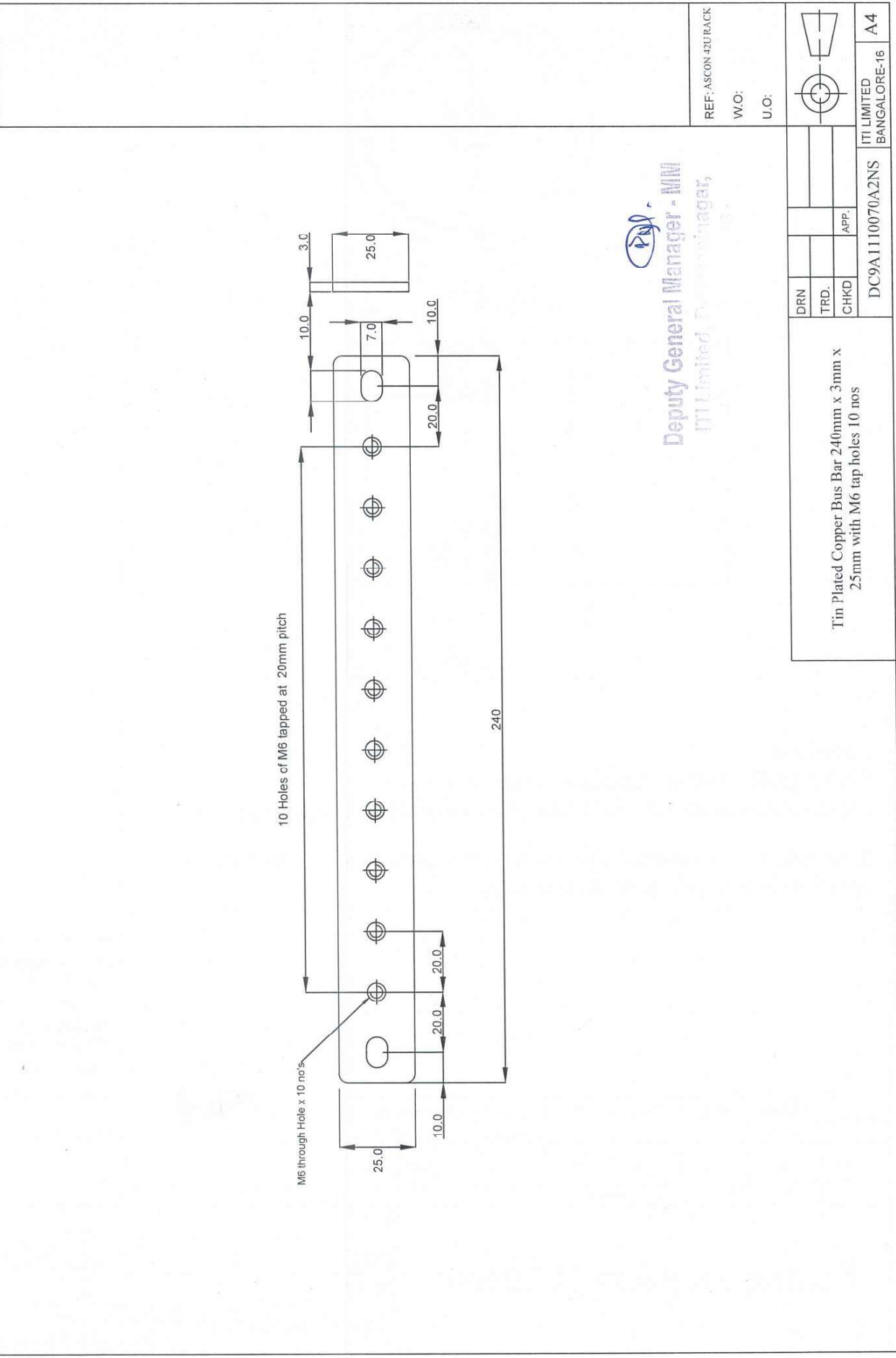
SHEET:-1 OF 2
 ISSUE APP.
 01 DATE MAR
 13-08-2024

SPEC.
 FIN. TIN

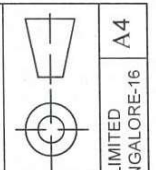
SPEC.
 MATL. COPPER (ETP Copper)

CODE

REF: ASCON 42U RACK
 W.O:
 U.O:



PM
 Deputy General Manager - MM
 ITI Limited, Bangalore-16

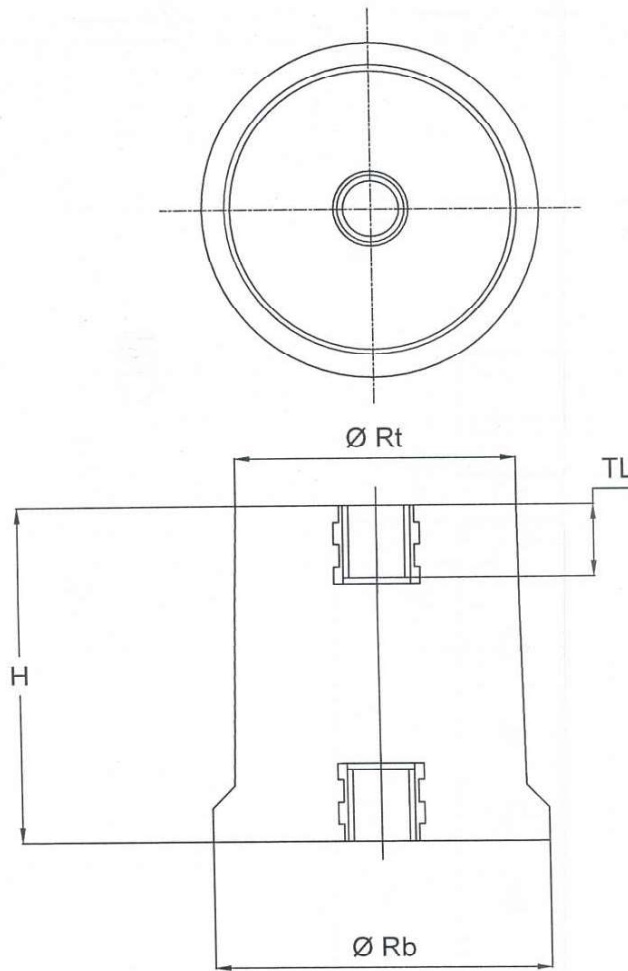


DRN			
TRD.			
CHKD			
APP.			

Tin Plated Copper Bus Bar 240mm x 3mm x
 25mm with M6 tap holes 10 nos

DC9A1110070A2NS
 ITI LIMITED BANGALORE-16
 A4

ISSUE		APP.
01	DATE	MR
01	21-08-2024	



1. Material :

Body: DMC (Dough Moulding Compound)

Insert : Aluminium / Brass / Steel (Zinc Passivated) / Stainless Steel

2. Sample to be submitted along with catalogue/technical data sheet for approval before bulk procurement stage.

ALL DIMENSIONS ARE IN 'mm'

TOLERANCES TO RULING NO. 16

REF: ASCON 42U RACK

W.O:

U.O:

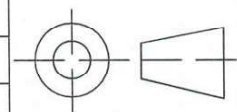
DET.NO.	Height (H)	Rt Ø	Rb Ø	TL	Thread Size	Nominal voltage (AC/DC)
01	30	25	30	7	M6	1200/1600

All Dimensions are in MM

Deputy General Manager
ITI Limited

Conical Insulator- H-30mm

DRN		
TRD.		
CHKD		APP.

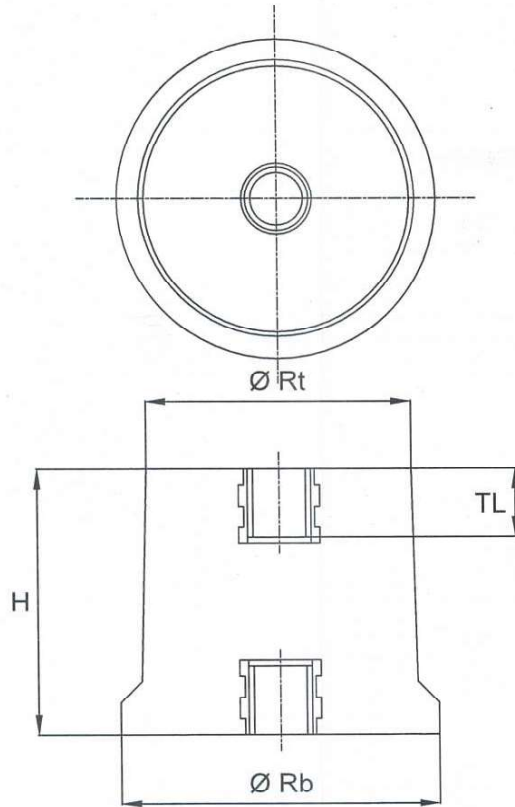


DC9C1000002NSNS

ITI LIMITED BANGALORE-16

A4

ISSUE		APP.
01	DATE	MR
01	21-08-2024	



1. Material :

Body: DMC (Dough Moulding Compound)

Insert : Aluminium / Brass / Steel (Zinc Passivated) / Stainless Steel

2. Sample to be submitted along with catalogue/technical data sheet for approval before bulk procurement stage.

ALL DIMENSIONS ARE IN 'mm'

TOLERANCES TO RULING NO. 16

REF: ASCON 42U RACK

W.O:

U.O:

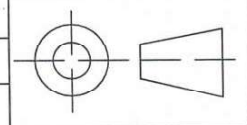
DET.NO.	Height (H)	Rt Ø	Rb Ø	TL	Thread Size	Nominal voltage (AC/DC)
01	25	19	25	7	M6	1000/1400

All Dimensions are in MM

Deputy General Manager
ITI Limited, Doorvanthage,
Bangalore - 560016

Conical Insulator- H-25mm

DRN			
TRD.			
CHKD		APP.	

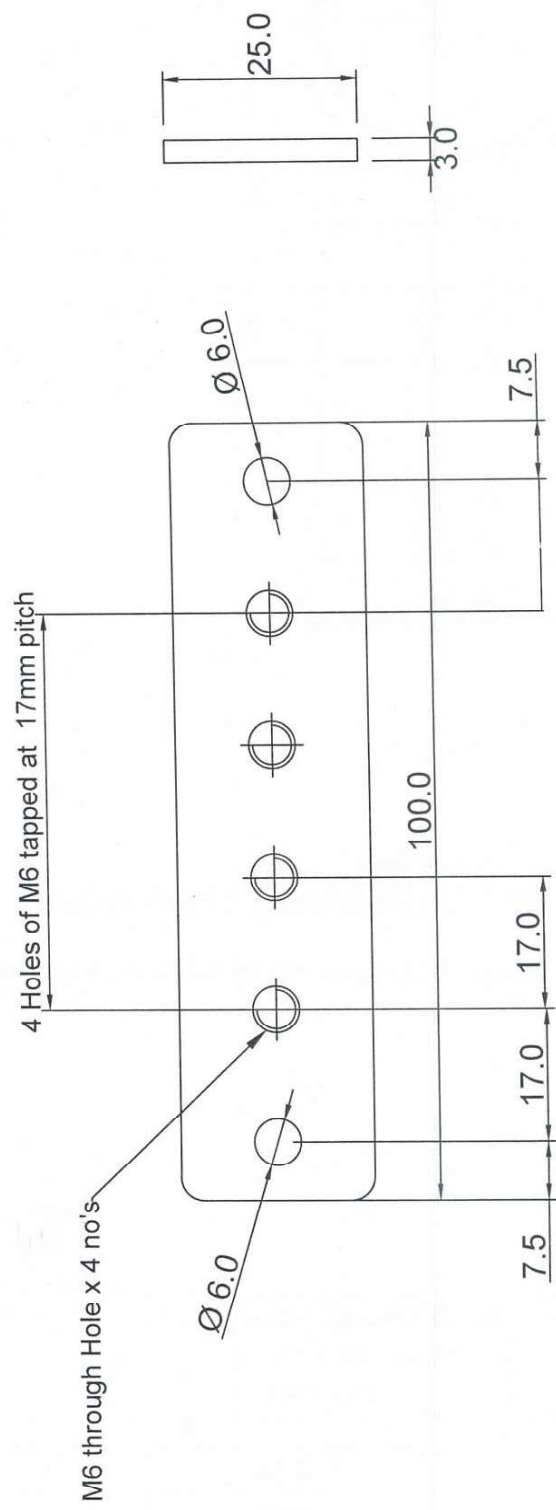


SHEET: -1 OF 2	
ISSUE	APP.
01	DATE MAR
13-08-2024	

SPEC.	FIN.
	TIN

SPEC.	MATL.
	COPPER (ETP Copper)

CODE



AP

Deputy General Manager - MM
 ITI Limited, Doorvaninagar,
 Bangalore - 560016

REF: ASCON 42U RACK
 W.O:
 U.O:

DRN	
TRD.	
CHKD	APP.
DC9A110407/A2NS	ITI LIMITED BANGALORE-16
	A4

Tin Plated Copper Bus Bar 100mm x 3mm x 25mm
 with M6 tap holes 04 nos

ANNEXURE B

TERMS & CONDITIONS

1. Scope of Work includes Supply of Items as mentioned.
2. Vendor shall ensure offer, supply as per above Make & part nos.
3. Sample to be submitted along with catalogue, technical data sheet for approval during enquiry stage, before bulk procurement stage.
4. In case of order, NABL certificate to be provided for Tensile and Shear strength.
5. **Payment Terms:** 100% after delivery with 60 days credit.
6. **Delivery Period:** 15 days from the Date of Purchase Order.
7. Samples to be supplied for Approval before bulk order.
8. Disputes if any will be within the Jurisdiction of Bangalore, Karnataka State, India.
9. **Terms of price:** DAP, ITI Ltd Bangalore.
10. Duties & Taxes: if any may be indicated.
11. MSME certificate shall be submitted if applicable.
12. All offers should be complete with specification /catalogue (English only).
13. Validity: Quotations should be valid for a period of 180 days from the due date of tender. Once quotation is accepted and order is confirmed, the price must remain same till the completion of the order.
14. 3 invoices of the original should be submitted along with supply. The invoice must have ITI Item code, Make & Part Number.
15. **Inspection:** Inspection of goods at our work is final. Goods rejected will be returned on freight to pay basis. Packing & forwarding charges in respect of such consignment will be debited to your account.
16. Materials should be as per our specification and requirement only.
17. We reserve the right to accept or reject any or all offers and order part or full quantity, without assigning any reason.
18. **Quote only for the mentioned make and part number.**
19. **Compliance to the Annexure – A and B from the Bidders on their Company Letter Head with sign and seal is mandatory and should be submitted along with the bid documents for technical evaluation. Without these documents, the submitted bid will be rejected and we will not consider for evaluation.**
20. Please specify your income tax account number and Name of I.T circle.
21. Liquidated Damages and risk purchase clauses: Time is the essence of contract and the materials against the order arising out of this enquiry must be delivered by the supplier according to the delivery schedule indicated in the purchase order. In case of any change, the supplier should inform us in advance and obtain approval to the revised delivery schedule should the supplier fail to deliver the material in full/ part thereof, we shall be entitled at our option either to recover from the supplier as agreed the liquidated damages and not as penalty, a sum equivalent to half percent of the contract price of the item per week of such delay or part thereof subject to maximum of 10% of the contract price of the item delayed or to terminate the contract in respect of balance quantity so delayed and purchase material elsewhere at the risk of supplier.
22. For Indigenous offers only:
 - a. Prices should always be quoted on DAP ITI Limited, Bangalore basis including suitable packing and unloading of materials at M/s ITI Limited, Bangalore.
 - b. Specify GST and other charges if any. In absence of these, the prices shall be treated as inclusive of all such taxes and other charges & no subsequent claims will be entertained.



Deputy General Manager - MM
ITI Limited, Doorvaninagar,
Bangalore - 560016